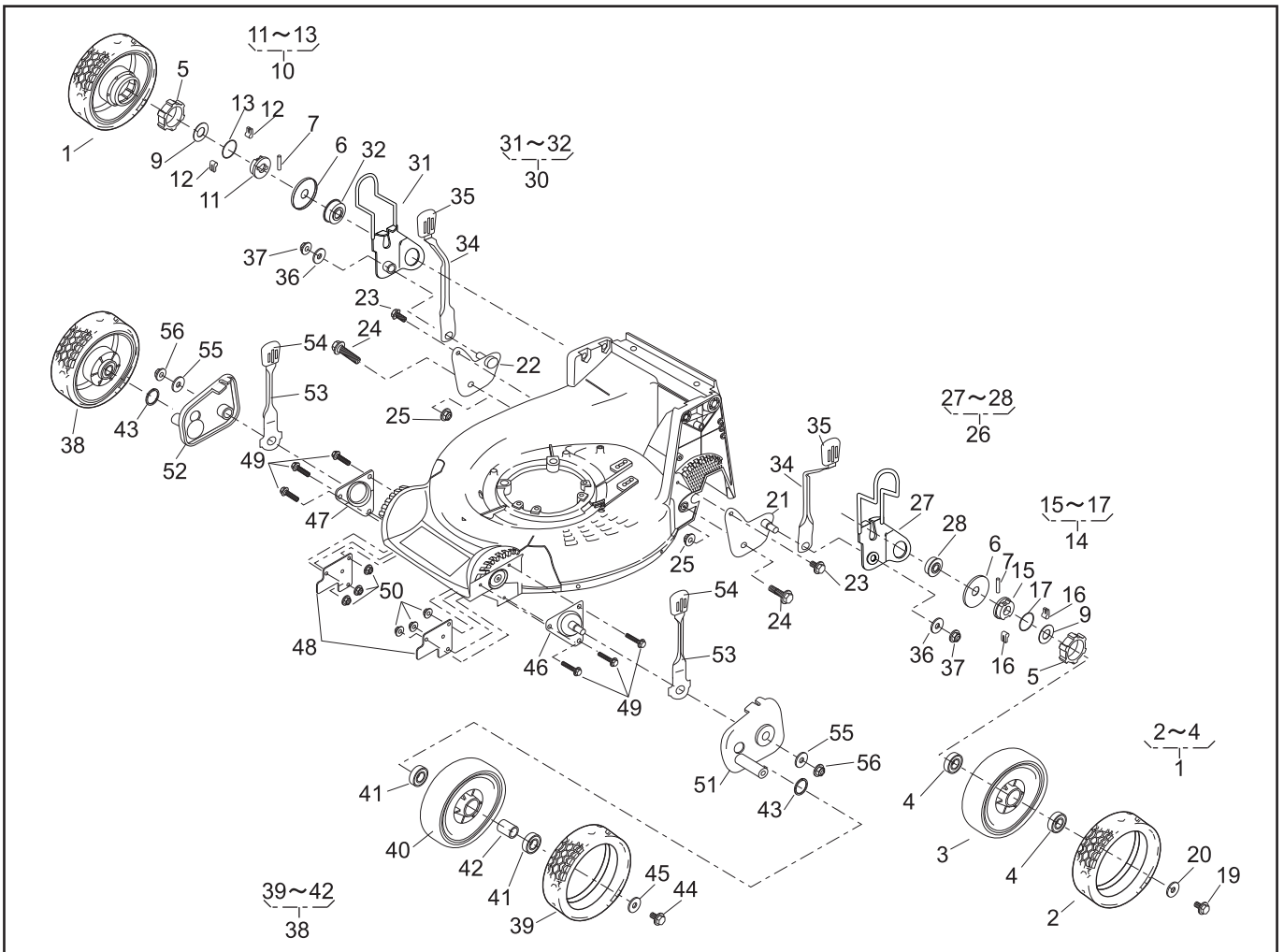


PARTS LIST

46014-224-01

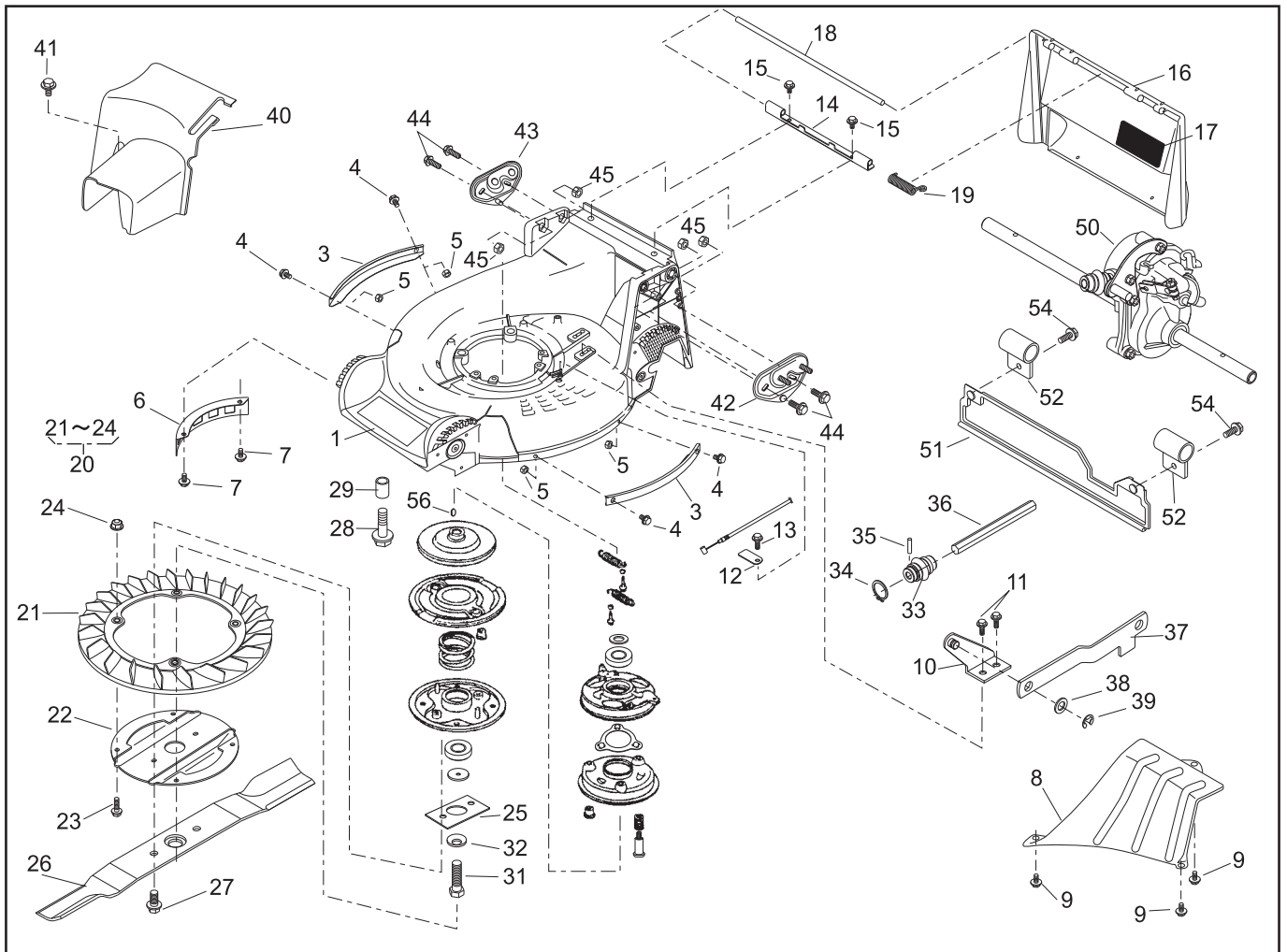
REF. No.	PARTS No.	PARTS NAME	8"AI-WHEEL			PRICE()	1/2	RECOMM.(%) Lot.100	Feb.07,2005	REMARKS
			Q'TY	INCLUDING						
1	71041 136	WHEEL ASSY(A.W.)	2							
2	91086 113	TIRE	2							
3		WHEEL	2							
4	916B 6002	BEARING	4							
5	11086 119	STOPPER	2							
6	61003 112	THRUST PLATE	2							
7	31034 137	PIN	2							
8										
9	68036 146	WASHER	2							
10	71158 101	RATCHET ASSY(R)	1							
11	11102 138	HOLDER	1							
12	31034 170	PIN	2							
13	68013 266	SPRING	1							
14	71158 102	RATCHET ASSY(L)	1							
15	11102 138	HOLDER	1							
16	31034 170	PIN	2							
17	68013 266	SPRING	1							
18										
19	31057 181	HEXAGON BOLT	2							
20	68036 101	WASHER	2							
21	11006 151	STAY C.P.(RL)	1							
22	11006 152	STAY C.P.(RR)	1							
23	342L 0612	FLANGE BOLT TAPPING	2							
24	31057 255	HEXAGON BOLT	2							
25	569L 0800	FLANGE NYLON NUT	2							
26	71122 112	ADJUSTER ASSY(L)	1							
27	11142 131	ADJUSTER(RL)	1							
28	945L 0349	BEARING	1							



PARTS LIST

46014-224-01

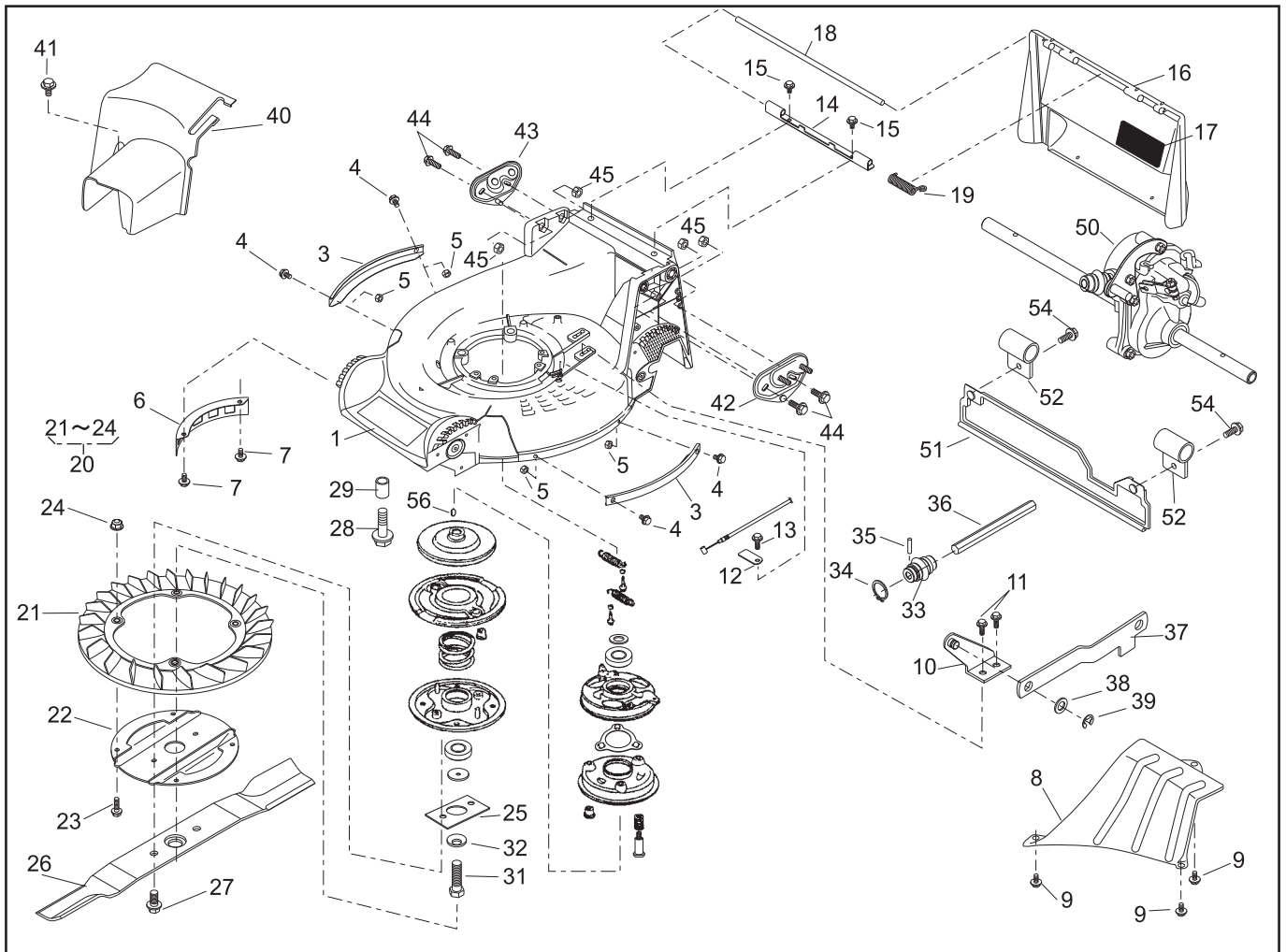
REF. No.	PARTS No.	PARTS NAME	8"AI-WHEEL			PRICE()	2/2		RECOMM.(%) Lot.100	REMARKS
			Q'TY	INCLUDING						
29										
30	71122 113	ADJUSTER ASSY(R)	1							
31	11142 132	ADJUSTER(RR)	1							
32	945L 0349	BEARING	1							
33										
34	11150 105 09	ADJUST LEVER	2							
35	36061 121	KNOB	2							
36	613L 0800	WASHER	2							
37	569L 0800	FLANGE NYLON NUT	2							
38	71041 135	WHEEL ASSY(A.W.)	2							
39	91086 113	TIRE	2							
40		WHEEL	2							
41	916B 6002	BEARING	4							
42	11083 332	COLLAR	2							
43	51113 119	RING	2							
44	31057 181	HEXAGON BOLT	2							
45	68036 101	WASHER	2							
46	11006 153	STAY C.P.(FL)	1							
47	11006 154	STAY C.P.(FR)	1							
48	11113 409	STAY	2							
49	335L 0625	FLANGE BOLT	6							
50	569L 0600	FLANGE NYLON NUT	6							
51	11142 129	ADJUSTER(FL)	1							
52	11142 130	ADJUSTER(FR)	1							
53	11150 109 09	ADJUST LEVER	2							
54	36061 121	KNOB	2							
55	613L 0800	WASHER	2							
56	569L 0800	FLANGE NYLON NUT	2							



PARTS LIST

46014-234-03

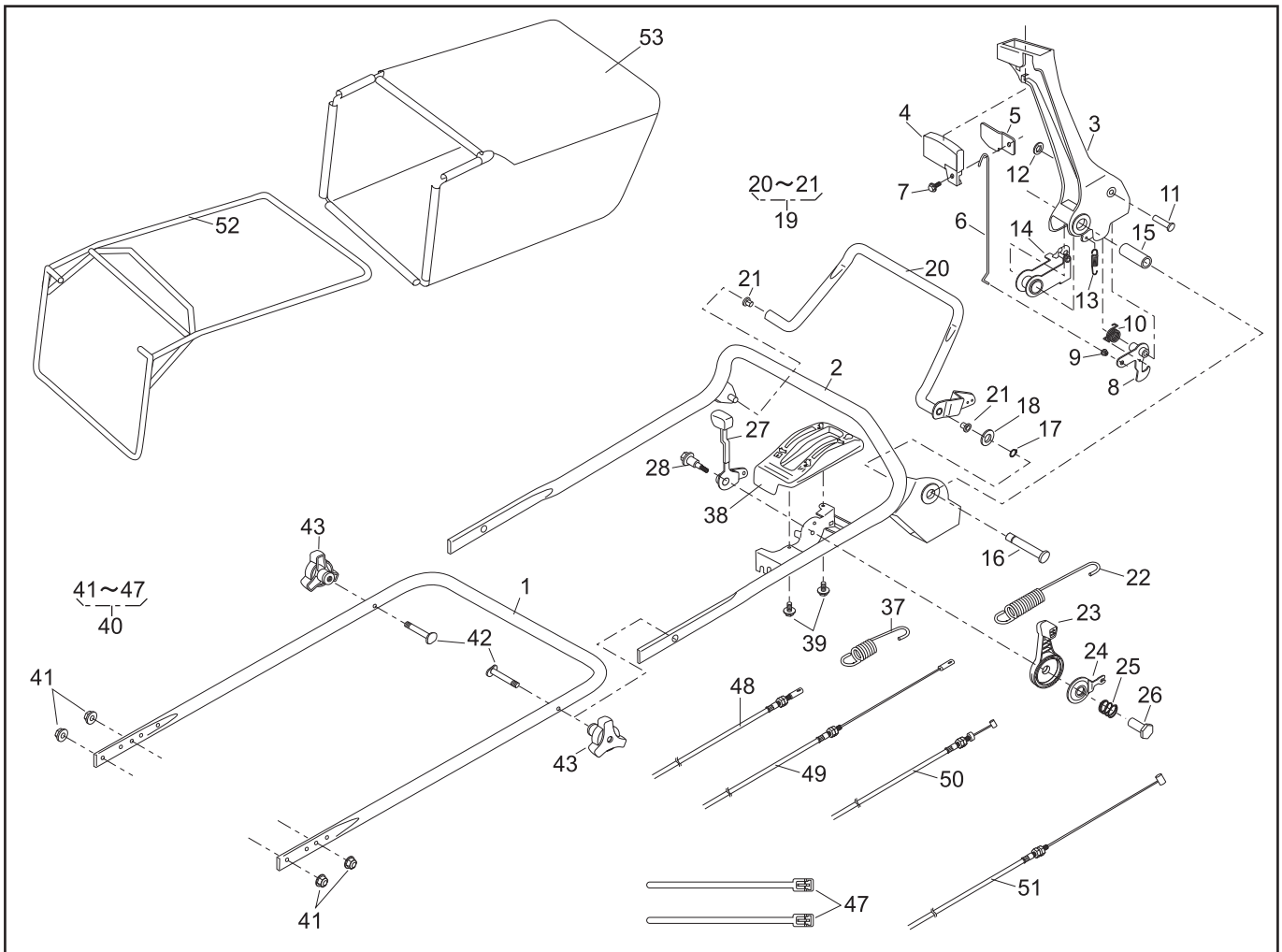
REF. No.	PARTS No.	PARTS NAME	GRASS-CUTTING		PRICE()	RECOMM.(%) Lot.100	Feb.09,2005	REMARKS
			Q'TY	INCLUDING				
1	51043 147 42	HOUSING	1					
2								
3	51090 117 09	PROTECTOR	2					
4	335L 0616	FLANGE BOLT	4					
5	512L 0600	HEXAGON NUT	4					
6	36065 180	COVER	1					
7	342L 0612	FLANGE TAPPING BOLT	2					
8	36065 436	COVER	1					
9	342L 0612	FLANGE TAPPING BOLT	3					
10	11006 155	STAY C.P.	1					
11	342L 0612	FLANGE TAPPING BOLT	2					
12	11113 407	STAY	1					
13	342L 0612	FLANGE TAPPING BOLT	1					
14	11113 292	STAY	1					
15	342L 0612	FLANGE TAPPING BOLT	2					
16	36068 196 46	GUARD	1					
17	36080 149	RUBBER SHEET	1					
18	64014 324	SHAFT	1					
19	68013 336	SPRING	1					
20	71082 111	FAN ASS'Y	1					
21	51125 103	FAN		1				
22	11102 151	HOLDER		1				
23	31062 169	PRE-COAT LOCK BOLT		4				
24	579L 0600	FLANGE NUT		4				
25	61024 208	SPACER	1					
26	91014 159	BLADE	1					
27	31057 197	HEXAGON BOLT	2					
28	31057 243	HEXAGON BOLT	4					



PARTS LIST

46014-234-03

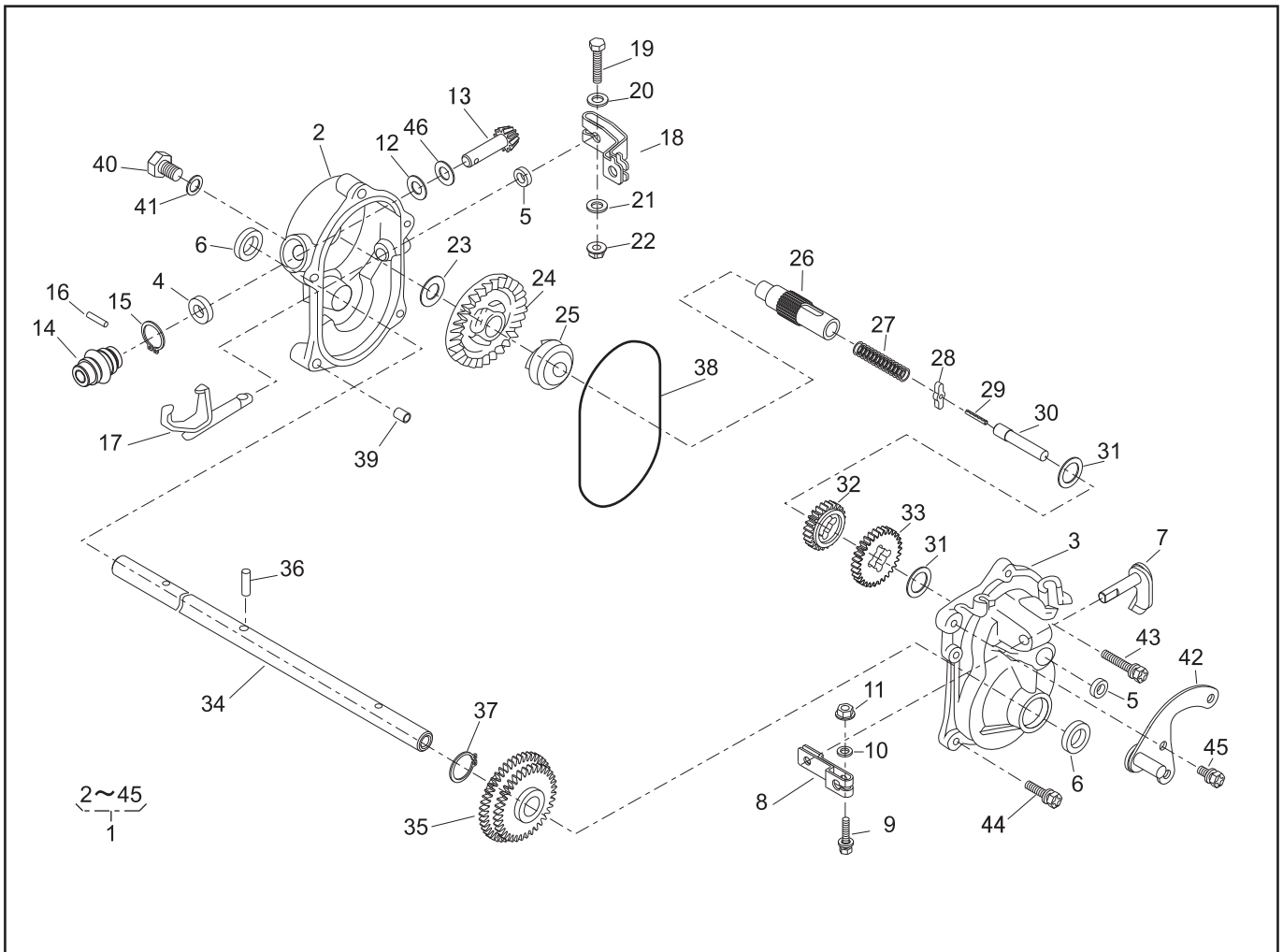
REF. No.	PARTS No.	PARTS NAME	GRASS-CUTTING			2/2	Feb.09,2005
			Q'TY INCLUDING	PRICE()	RECOMM.(%) Lot.100	REMARKS	
29	61024 142	SPACER	3				
30	71067 106	BRAKE ASS'Y	1				
31	31057 196	HEXAGON BOLT	1				
32	671V 1000	SPRING WASHER	1				
33	91097 101	UNIVERSAL JOINT	1				
34	812V 2000	C-SNAP RING		1			
35	717B 0418	PARALLEL PIN		1			
36	64014 358	SHAFT	1				
37	91049 135	CONNECTOR	1				
38	68036 280	WASHER	1				
39	816V 0800	E-SNAP RING	1				
40	36065 438	COVER	1				
41	342L 0616	FLANGE TAPPING BOLT	1				
42	51116 149	HANDLE BRACKET(L)	1				
43	51116 150	HANDLE BRACKET(R)	1				
44	31057 255	HEXAGON BOLT	4				
45	512L 0800	HEXAGON NUT	4				
46							
47							
48							
49							
50	71008 275	GEAR CASE ASS'Y	1				
51	36046 118	SAFETY GUARD	1				
52	11012 126	HANGER BAND	2				
53							
54	335L 0616	FLANGE BOLT	2				
55	122039	ENGINE:HONDA GXV160H2-SFL1-R280	1				
56		WOODRUFF KEY	1				



PARTS LIST

46014-250-01

REF. No.	PARTS No.	PARTS NAME	HANDLE		PRICE()	1/2 RECOMM.(%) Lot.100	Feb.08,2005 REMARKS
			Q'TY	INCLUDING			
1	51027 254	HANDLE	1				
2	51027 255	HANDLE	1				
3	11095 172	LEVER (BBC)	1				
4	36110 102	BUTTON	1				
5	11049 109	SLIDE PLATE	1				
6	64014 336	SHAFT	1				
7	335N 0612	FLANGE BOLT	1				
8	71203 135	ARM C.P.	1				
9	76007 183	BUSH	1				
10	68013 371	SPRING	1				
11	31056 127	GIB-HEADED PIN	1				
12	576V 0600	PUSH NUT	1				
13	68013 372	SPRING	1				
14	11109 111	LINK	1				
15	61023 190	SLEEVE	1				
16	64014 337	SHAFT	1				
17	812V 0800	C-SNAP RING	1				
18	613L 0800	PLAINE WASHER	1				
19	71161 114 09	LEVER ASS'Y	1				
20		LEVER		1			
21	76007 131	BUSH		2			
22	68013 374	SPRING	1				
23	91010 169	THROTTLE LEVER (GXV120/GXV160)	1				
24	61003 113	THRUST PLATE	1				
25	68013 356	SPRING	1				
26	31058 168	HEXAGON NUT	1				
27	11095 117	LEVER	1				
28	31062 109	PRE-COAT LOCK BOLT	1				

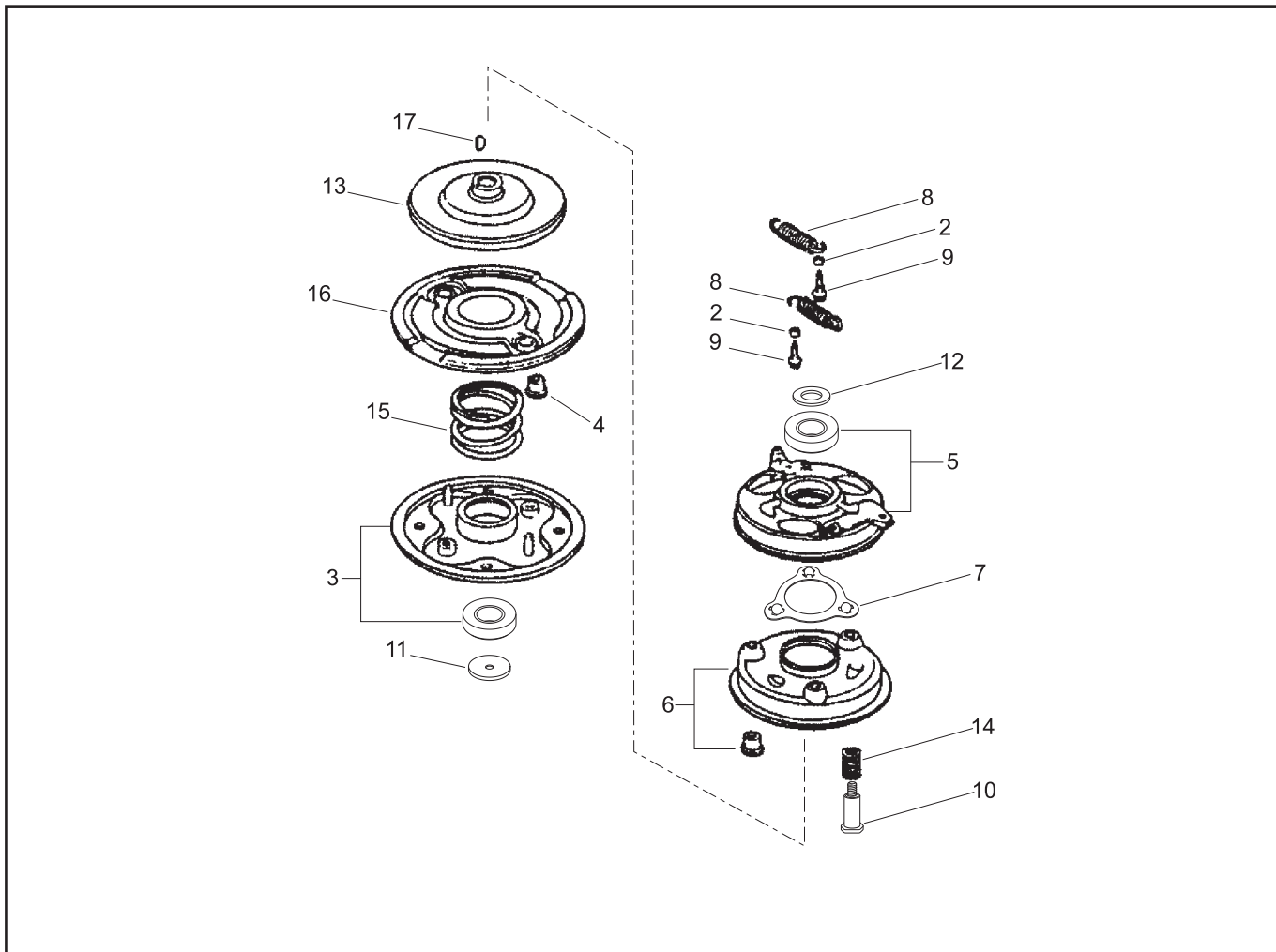


PARTS LIST

GEAR CASE ASSY (71008-275)

46014-262-03

REF. No.	PARTS No.	PARTS NAME	GEAR CASE			1/2	Feb.07,2005
			Q'TY	PRICE()	RECOMM.(%)	REMARKS	
			INCLUDING		Lot.100		
1	71008 275	GEAR CASE ASSY	1		-		
2	51001 195	GEAR CASE	1		3		
3	51001 196	GEAR CASE	1		3		
4	61002 161	OIL SEAL	1		5	SD 10 20 5	
5	61002 162	OIL SEAL	2		5	SD 8 14 4	
6	61002 163	OIL SEAL	2		5	SD 15 24 5	
7	64024 104	SHIFTER SHAFT	1		3		
8	11104 119	ARM	1		3		
9	320L 0525	(+)HEXAGON BOLT(W/PW)	1		3	M5 × 25	
10	611L 0500	PLAIN WASHER	1		3	M5	
11	571L 0500	FLANGE NUT	1		3	M5	
12	61003 109	THRUST PLATE	1		5		
13	78003 130	PINION	1		3		
14	91097 101	UNIVERSAL JOINT	1		3		
15	812V 2000	C-SNAP RING		1	1	φ 20	
16	717B 0418	PARALLEL PIN		1	3	φ 4 × 18	
17	11097 106	SHIFTER FORK	1		3		
18	11104 137	ARM	1		3		
19	311M 0630	HEXAGON BOLT	1		3	M6 × 30	
20	611L 0600	PLAIN WASHER	1		3	M6	
21	613L 0600	PLAIN WASHER	1		3	M6	
22	571L 0600	FLANGE NUT	1		3	M6	
23	61024 117	SPACER	1		5		
24	78001 162	BEVEL GEAR	1		3		
25	11129 107	CLUTCH	1		3		
26	64014 236	SHAFT	1		3		
27	68013 262	SPRING	1		3		



PARTS LIST

BRAKE ASSY (71067-106)

46014-266-01

REF. No.	PARTS No.	PARTS NAME	BBC		1/1	RECOMM.(%) Lot.100	REMARKS
			Q'TY	PRICE()			
			INCLUDING				
1	71067 106	BRAKE ASS'Y	1			-	
2	19512 883 000	FAN COLLAR	2			-	
3	72600 VA4 010	HOLDER ASS'Y	1			3	
4	72613 VA4 000	BUSH, BLADE HOLDER	2			5	
5	75090 VA4 030	CONTROL ASS'Y	1			10	
6	75100 VA4 010	BRAKE C.P.	1			3	
7	75110 VA4 000	BALL RETAINER C.P.	1			10	
8	75182 VA3 J00	SPRING, CLUTCH RETURN	2			5	
9	90014 952 000	FLANGE BOLT	2			3	6 x 14
10	90021 VA4 000	BOLT, SPECIAL	3			3	6 mm
11	90409 952 000	WASHER	1			3	10 mm
12	90501 952 010	THRUST WASHER	1			3	
13	75130 VA4 000	BRAKE DISK	1			3	
14	75132 VA4 000	SPRING, BRAKE HOLDER	3			5	
15	75183 VA3 J00	SPRING, CLUTCH	1			3	
16	75150 VA3 J01	DRIVEN DISK C.P.	1			3	
17	94401 16150	WOODRUFF KEY	1			15	
18							
19							
20							
21							
22							
23							
24							
25							
26							
27							
28							